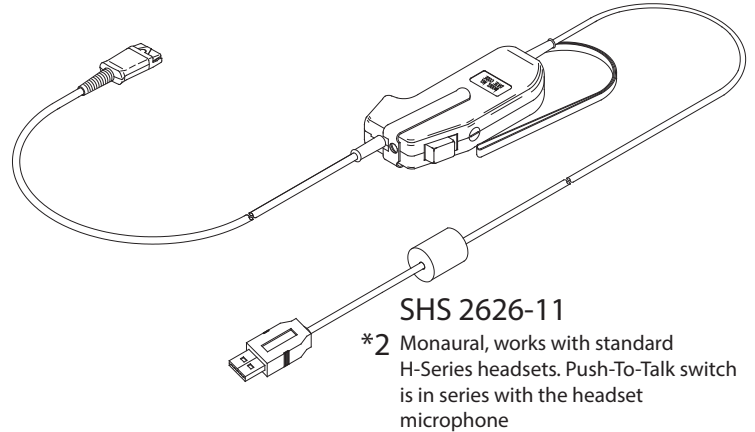
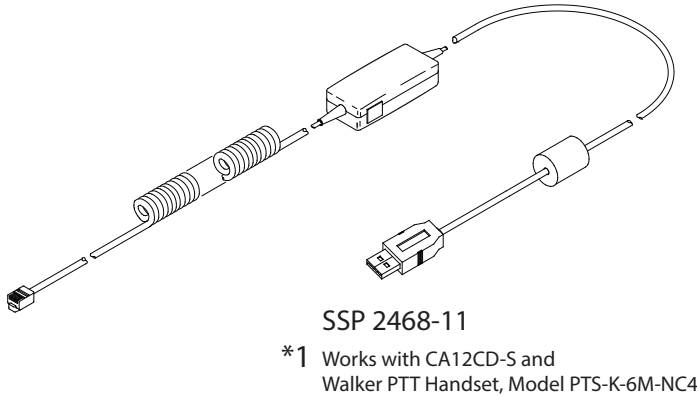
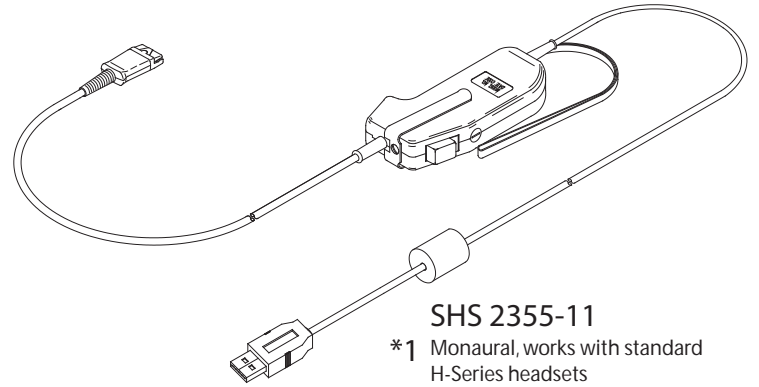
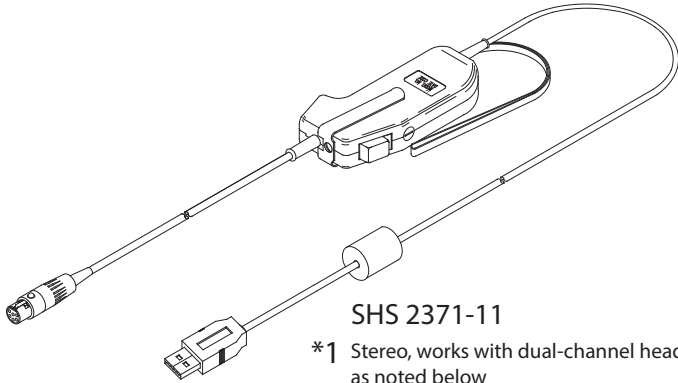




# USB Push-to-Talk Adapters



Compatible with standard USB drivers.

- \*1 The Push-to-Talk switch enumerates as button 1 of a single button game controller.
- \*2 The Push-to-Talk switch turns the microphone on and off and provides "Secure Voice" functionality. It also enumerates as Button 1 of a single button game controller.
- > Push-to-Talk products by Poly, are now available with USB interfaces. They are based upon products that are the proven standard for Air Traffic Control and Public Safety Dispatch.
- > Used with training simulators, VoIP communications and speech recognition - anywhere that high quality USB audio with push-to-talk switching is required.
- > Available in monaural and stereo.
- > The SHS 2371-11 works with Dual Channel headsets such as the HW261N-DC. Left channel only headsets (Models SHS 2069-01 & SHS 2378-01) are also available.
- > USB Foot Switch, Model SSP 2646-11 is available upon request.